

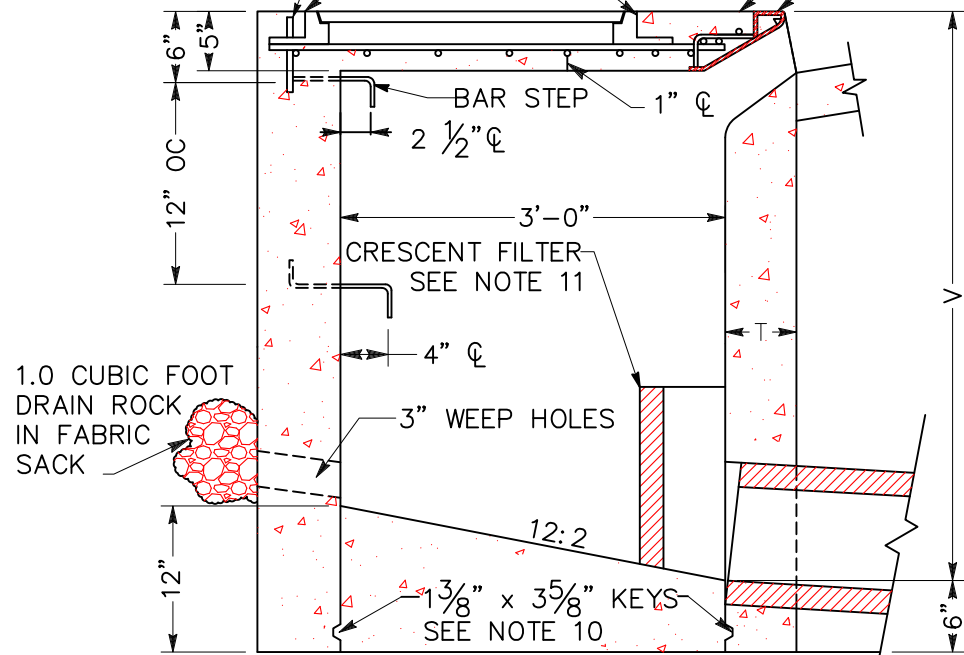
SEE Std PLAN S-8 FOR Std FRAME & COVER DETAILS

SEE Std PLAN S-10 FOR DECK SLOPE IN SIDEWALK AREAS

SEE Std PLAN S-7 FOR DETAILS OF CATCH BASIN INLET & STEEL

DOWELS #4 BARS X8"

STEEL LIST		
MATERIAL	QUANTITY	
	W=4'	W=7'
#4 DEFORMED BARS		
L = 4'-8"	7	
L = 3'-2"	10	16
L = 1'-1"	3	3
L = 1'-6"	4	
L = 1'-3"	4	
L = 0'-8" (DOWELS)	4	4
L = 7'-8"		7
L = 2'-9"		4
L = 3'-0"		4
INLET STEEL ASSEMBLY	1	1
Std FRAME & COVER	1	1



SECTION A-A

SEE SHEET 2 FOR NOTES

NOT TO SCALE

		07/18/16	$\Delta$			SHEET 1 of 2	CATCH BASIN TYPE I	S-5
		DATE	NO	BY	DATE			

NOTES:

1. CONNECTION PIPES MAY BE PLACED IN ANY POSITION AROUND THE WALLS PROVIDED THE POSITION IS CONSISTENT WITH THE IMPROVEMENT PLAN.
2. CURVATURE OF THE LIP AND SIDEWALLS AT GUTTER OPENING SHALL BE FORMED BY CURVED FORMS AND SHALL NOT BE MADE BY PLASTERING.
3. DIMENSIONS:  
 V = DEPTH OF CATCH BASIN TO FLOWLINE.  
 T = 6" IF V IS 4' OR LESS.  
 T = 8" IF V IS BETWEEN 4' AND 8'.  
 T = 10" IF V IS 8' OR MORE.
4. FLOOR OF BASIN SHALL BE TROWELED AND RETROWELED TO PRODUCE A HARD, POLISHED SURFACE OF MAXIMUM DENSITY AND SMOOTHNESS. SLOPE OF FLOOR PARALLEL WITH CURB SHALL BE 12:2 UNLESS OTHERWISE SPECIFIED.
5. INLET & OUTLET PIPES SHALL BE TRIMMED TO THE FINAL SHAPE AND LENGTH BEFORE CONCRETE IS POURED.
6. REINFORCING STEEL SHALL BE #4 DEFORMED BARS. WALL REINFORCING NOT REQUIRED WHEN "V" IS 8' OR LESS AND THE UNSUPPORTED WIDTH OR LENGTH IS 7' OR LESS. WALLS EXCEEDING THESE LIMITS SHALL BE REINFORCED WITH #4 BARS @ 18"± CENTERS PLACED 1½" CLEAR TO INSIDE OF BOX UNLESS OTHERWISE SHOWN.
7. STEPS: ¾" PLAIN, ROUND GALVANIZED STEEL STEPS ARE REQUIRED AS FOLLOWS:  
 IF V IS 3'-6" OR LESS, NO STEPS REQUIRED.  
 IF V IS MORE THAN 3'-6" AND NOT MORE THAN 4', INSTALL 1 STEP 12" ABOVE FLOOR OF BASIN.  
 IF V IS MORE THAN 4', INSTALL STEPS 12" APART WITH THE TOP STEP 6" BELOW THE SURFACE OF THE BASIN.  
 ALL STEPS SHALL BE 4" FROM THE WALL, EXCEPT THE TOP STEP WHICH SHALL BE 2½" (CLEAR) FROM THE WALL.
8. SURFACE OF ALL EXPOSED CONCRETE IN BASIN SHALL CONFORM IN SLOPE, GRADE, COLOR, FINISH, AND SCORING TO EXISTING OR PROPOSED CURB AND WALK ADJACENT TO THE BASIN.
9. EXCEPTION: WHEN THE BASIN IS TO BE CONSTRUCTED WITHIN THE LIMITS OF A PROPOSED SIDEWALK OR IS CONTIGUOUS TO SUCH A SIDEWALK, THE TOP OF THE BASIN SHALL BE POURED MONOLITHIC WITH THE SIDEWALK USING THE SAME CLASS OF CONCRETE AS IN THE SIDEWALK.
10. KEYS REQUIRED ONLY WHEN FLOOR IS POURED SEPARATE FROM WALLS.
11. TRITON CRESCENT FILTER AND CARTRIDGE BY REM INC. SHALL BE INSTALLED PER MANUFACTURER'S REQUIREMENTS. TOP HAT TYPE MAY BE REQUIRED AT THE DISCRETION OF THE CITY ENGINEER.
12. FOR W=7'-0" SEE STEEL SCHEDULE FOR REQUIRED STEEL & S-7 FOR EXPANDED INLET STEEL

NOT TO SCALE



*BA*

CITY ENGINEER

07/18/16

DATE



NO

BY



DATE

REVISION

SHEET  
2 of 2

CATCH BASIN  
TYPE I

S-5