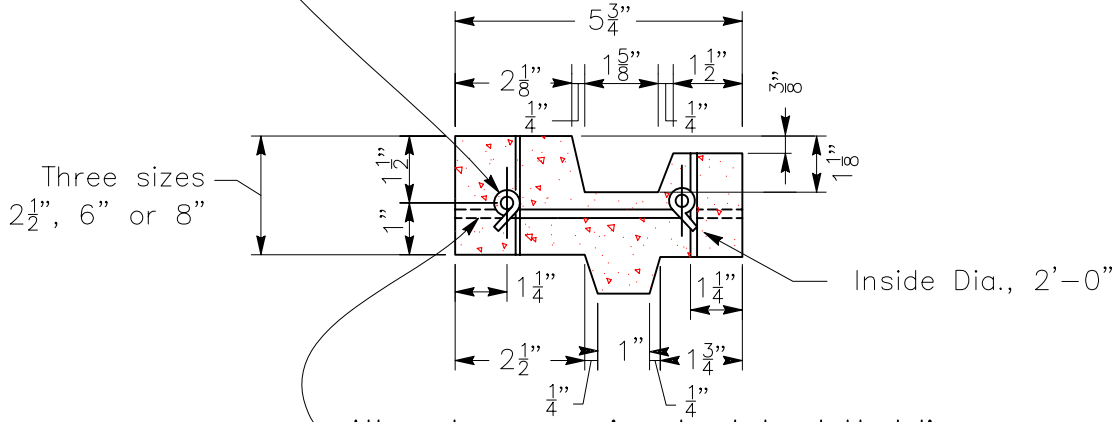


SECTION

2 1/2" rings shall be reinforced w/two steel hoops;
 6" & 8" rings shall be reinforced w/four & six
 hoops; tied w/no 14 AS & w/ gauge wire 8" OC.



Alternate cross wires bent to dotted line.

CONCRETE RING - CROSS SECTION

See sheet 2 for notes and step details.

Not to Scale



[Signature]
 City Engineer

01/16/07
 Date

NO	BY	DATE	REVISION
1			
2			
3			

SHEET
 1 of 2

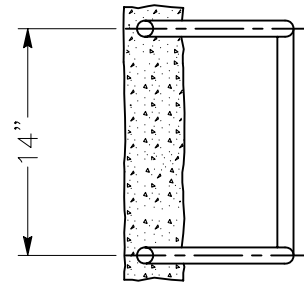
STANDARD STORM
 DRAIN MANHOLE
 SHAFT

S-3

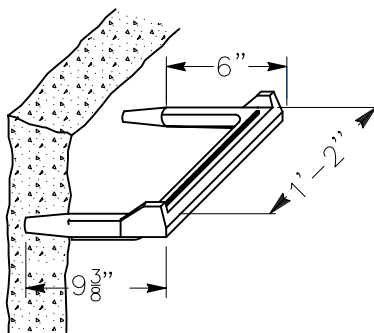


$\frac{1}{2}$ " \varnothing Steel 60 KSI
polypropylene plastic.

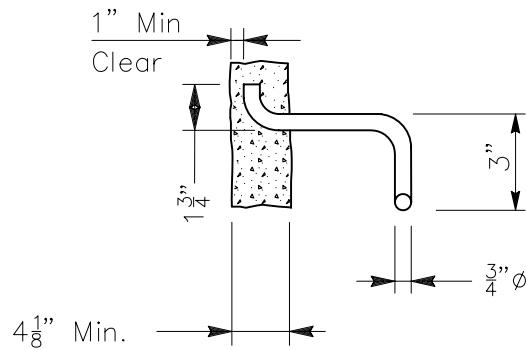
TYPICAL SECTION
(Step Insert)



PLAN



STEP INSERT DETAIL



SECTION

BAR STEP DETAIL

NOTES

1. Joints shall be filled with mortar and neatly pointed or wiped on inside of shaft.
2. Steps shall be $\frac{3}{4}$ " round galvanized steel 12" OC Steps may be $\frac{1}{2}$ " steel with polypropylene plastic coating conforming to State Standard Plan D74C. Bar steps shall be cast-in-place.
3. Length of sections for manhole shaft may be 1'-0", 2'-0", 3'-0", or 4'-0" at the option of the contractor.
4. Manhole shall be precast reinforced concrete manhole pipe.

Not to Scale



[Signature]
City Engineer
01/16/07
Date

NO	BY	DATE	REVISION
▲			
▲			
▲			

SHEET
2 of 2

STANDARD STORM
DRAIN MANHOLE
SHAFT

S-3